



MP18-140 Series ADSL/POTS SPLITTER



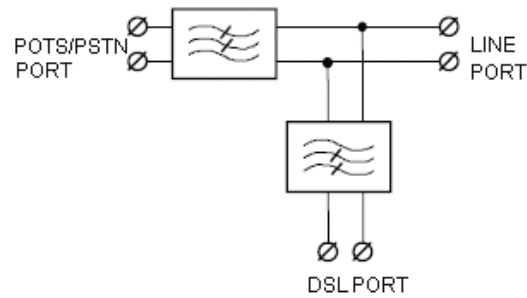
- ADSL / POTS splitter(CO)
- POTS Impedance 600ohm
- Meets: YD/T 1187-2006; ETSI TS 101 952-1-1
- Metering Pulse to Relating at 12kHz or 16kHz is optional
- Compatible with ADSL2+ ,VDSL and VDSL2+
- Passive Elements Only and V0 acc. UL94

■ Electrical Characteristics @25°C

ITEM	FREQUENCY	SPECIFICATION
DC Current		100mA MAX
Total DC Resistance		25Ω MAX
POTS Impedance		600Ω
POTS Insert Loss	1020Hz	-0.3dB MAX
POTS Insert Loss Distortion relative to 1020Hz	300Hz - 3.4kHz	0.3dB MAX
POTS Insert Loss at 12kHz or 16kHz(200ohm)*	12kHz or 16kHz	-3dB MAX
POTS Return Loss	300Hz - 500Hz	-14dB MIN
	500Hz - 2kHz	-18dB MIN
	2kHz - 3.4kHz	-14dB MIN
POTS Group Delay	500Hz - 2.8kHz	150μs MAX
xDSL Isolation	30kHz - 138kHz	-55dB MIN
		-45dB MIN*
	138kHz - 1104kHz	-55dB MIN
	1104kHz - 4.4MHz	-55dB MIN
	4.4MHz - 12MHz	-55dB MIN (VDSL)
Unbalance about earth	12MHz - 30MHz	-50dB MIN (VDSL2+)
	50Hz - 600Hz	-40dB MIN
	600Hz - 3.4kHz	-46dB MIN
	3.4kHz - 30kHz	-40dB MIN
	30kHz - 1104kHz	-45dB MIN
	1104kHz - 4.4MHz	-30dB MIN
4.4MHz - 30MHz	-30dB MIN	

*: 12/16kHz optional billing pulse

■ Structure

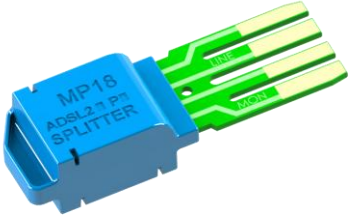
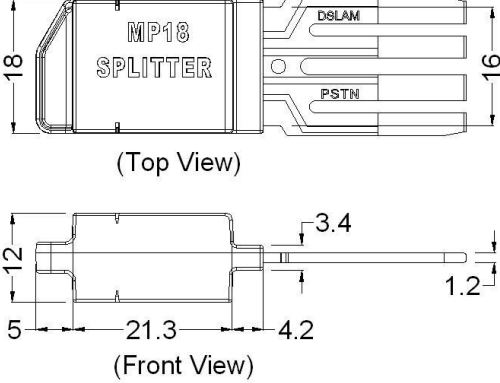
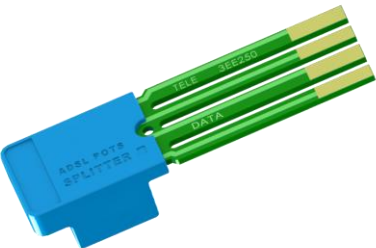
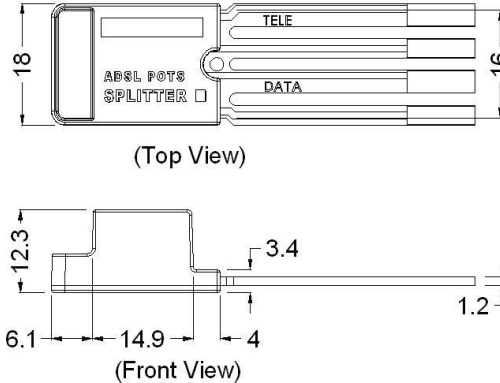

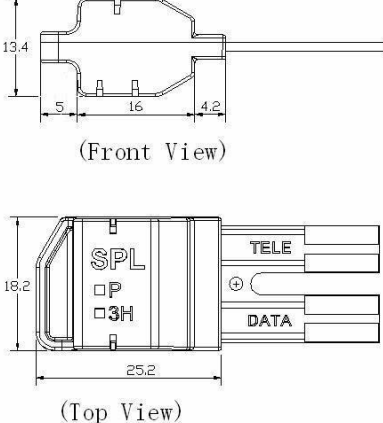



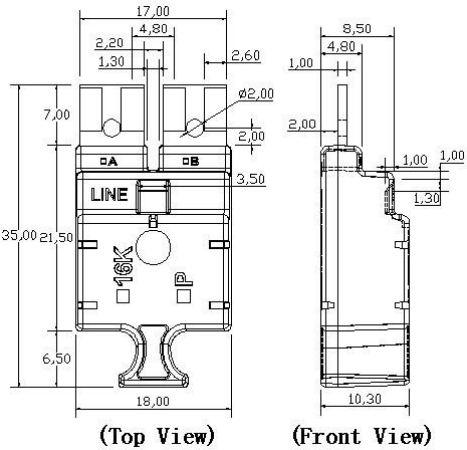

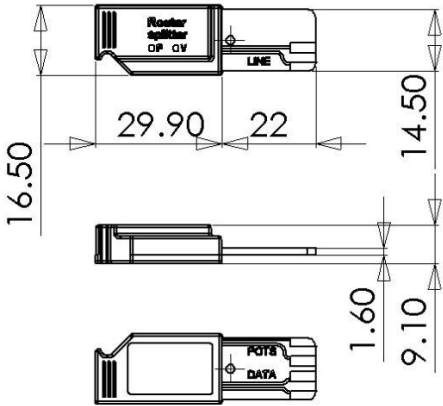
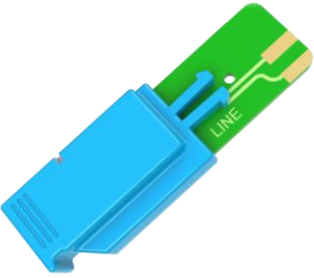
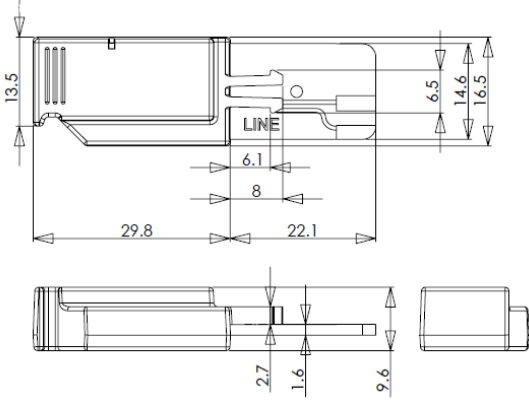
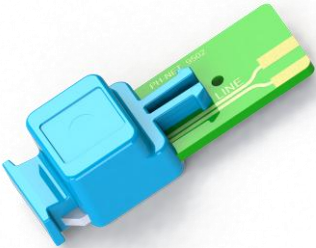
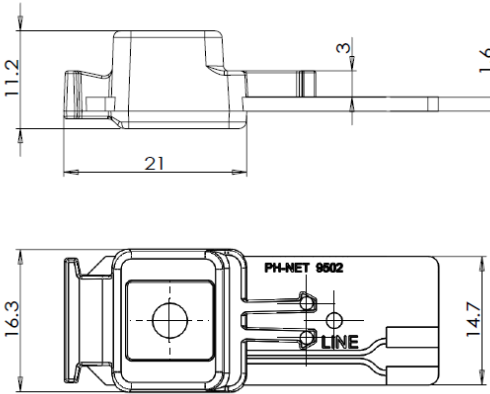
■ Model for Order

Model	YD/T	ETSI	ROSH	Diagram No.
MP18-141	○	○	○	1
MP18-142	○	○	○	2
MP18-143	○	○	○	3
MP18-145	○	○	○	4
MP18-147B	○	○	○	5
MP18-147C	○	○	○	6
MP18-147E	○	○	○	7
MP18-148	○	○	○	8
MP18-14A	○	○	○	9
MP18-149	○	○	○	10
MP18-149A	○	○	○	11


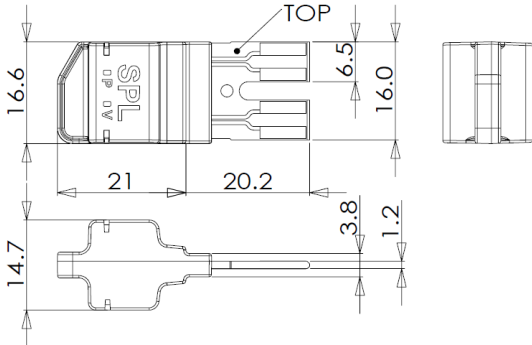
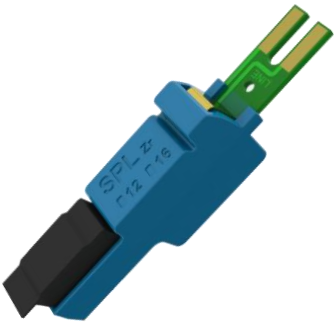
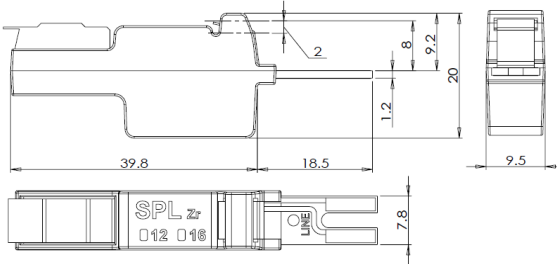
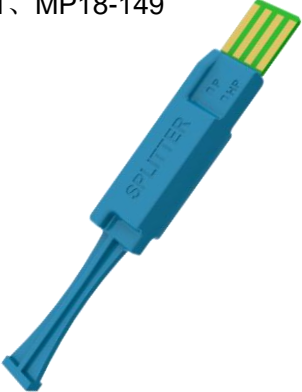
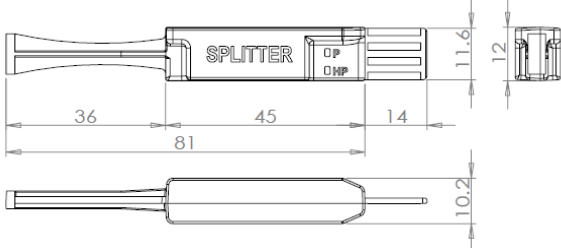


■ Apparatus Diagram (Unit: mm)

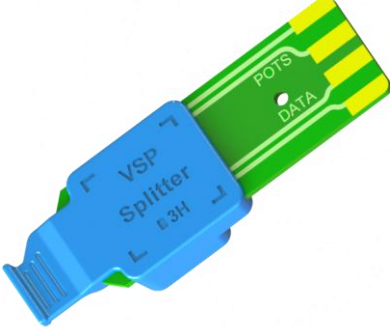
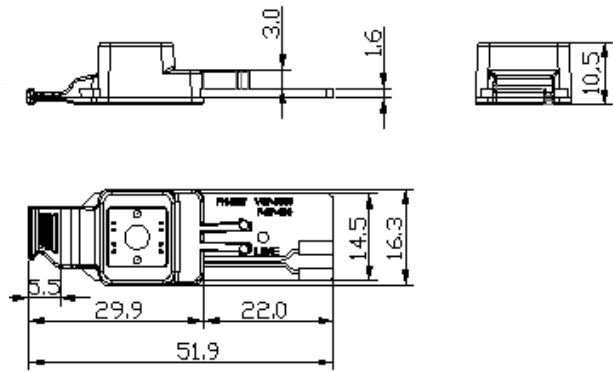
<p>1、MP18-141</p> 	 <p>(Top View)</p> <p>(Front View)</p>	<p>1st order HPF, 3rd order HPF is optional</p> <p>2nd line protector optional</p>
<p>2、MP18-142</p> 	 <p>(Top View)</p> <p>(Front View)</p>	
<p>3、MP18-143</p> 	 <p>(Front View)</p> <p>(Top View)</p>	<p>1st order HPF, 3rd order HPF is optional</p> <p>2nd line protector optional</p> <p>Compatible with VDSL2+</p>

<p>4、MP18-145</p> 	 <p>(Top View) (Front View)</p>	<p>for JPX668B Test wiring block</p> <p>1st order HPF 2nd line protector optional</p> <p>Compatible with VDSL2+</p>
<p>5、MP18-147B</p> 	 <p>16.50 29.90 22 14.50 1.60 9.10</p>	<p>1st order HPF, 3rd order HPF is optional</p> <p>2nd line protector optional</p> <p>*Blue *Red</p>
<p>6、MP18-147C</p> 	 <p>13.5 29.8 22.1 6.1 8 6.5 14.6 16.5 2.7 1.6 9.6</p>	<p>1st order HPF, 3rd order HPF is optional</p> <p>2nd line protector optional</p>
<p>8、MP18-147E-3H</p> 	 <p>11.2 21 3 1.6 16.3 14.7</p>	<p>1st order HPF, 3rd order HPF is optional</p>



<p>9、MP18-148</p> 		<p>1st order HPF, 3rd order HPF is optional</p> <p>2nd line protector optional</p>
<p>10、MP18-14A</p> 		<p>Metering Pulse to Relating at 12kHz or 16kHz</p> <p>Compatible with VDSL2+</p> <p>Includes surge arrester connected to the external ground (3-pole gas tube arrester)</p> <p>3-pole G Load=Zr=200+680//100N</p>
<p>11、MP18-149</p> 		<p>2nd line protector optional</p>



<p>9、MP18-147ce</p> 		<p>1st order HPF, 3rd order HPF is optional</p> <p>2nd line protector optional</p>
<p>10、MP18-14A</p>		<p>Metering Pulse to Relating at 12kHz or 16kHz</p> <p>Compatible with VDSL2+</p> <p>Includes surge arrester connected to the external ground (3-pole gas tube arrester)</p> <p>3-pole G Load=Zr=200+680//100N</p>
<p>11、MP18-149</p>		<p>2nd line protector optional</p>