

MP18-120 Series ADSL/POTS SPLITTER



- ADSL / POTS splitter(CO)
- POTS Impedance 600ohm
- Meets: YD/T 1187-2006; ETSI TS 101 952-1-1
- Compatible with ADSL2+,VDSL and VDSL2+
- Passive Elements Only and V0 acc. UL94

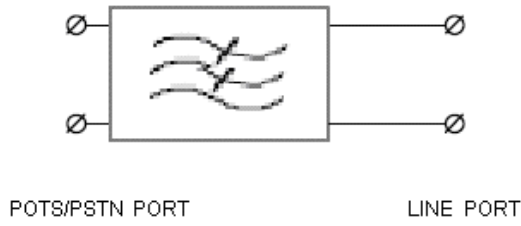
■ Electrical Characteristics @25°C

ITEM	FREQUENCY	SPECIFICATION
DC Current		100mA MAX
Total DC Resistance		25Ω MAX
POTS Impedance		600Ω
POTS Insert Loss	1020Hz	-0.3dB MAX
POTS Insert Loss Distortion relative to 1020Hz	300Hz - 3.4kHz	0.3dB MAX
POTS Insert Loss at 12kHz or 16kHz(200ohm)*	12kHz or 16kHz	-5dB MAX
POTS Return Loss	300Hz - 500Hz	-14dB MIN
	500Hz - 2kHz	-18dB MIN
	2kHz - 3.4kHz	-14dB MIN
POTS Group Delay	500Hz - 2.8kHz	150μs MAX
xDSL Isolation	30kHz - 138kHz	-55dB MIN -45dB MIN*
	138kHz - 1104kHz	-55dB MIN
	1104kHz - 4.4MHz	-55dB MIN
	4.4MHz - 12MHz	-55dB MIN (VDSL)
	12MHz - 30MHz	-45dB MIN (VDSL2+)
Unbalance about earth	50Hz - 600Hz	-40dB MIN
	600Hz - 3.4kHz	-46dB MIN
	3.4kHz - 30kHz	-40dB MIN
	30kHz - 1104kHz	-45dB MIN
	1104kHz - 4.4MHz	-30dB MIN
	4.4MHz - 12MHz	T.B.D
	12MHz - 30MHz	T.B.D

*: 12kHz or 16kHz optional electrical characteristic

***Custom splitter can be designed to meet specific requirements**

Structure


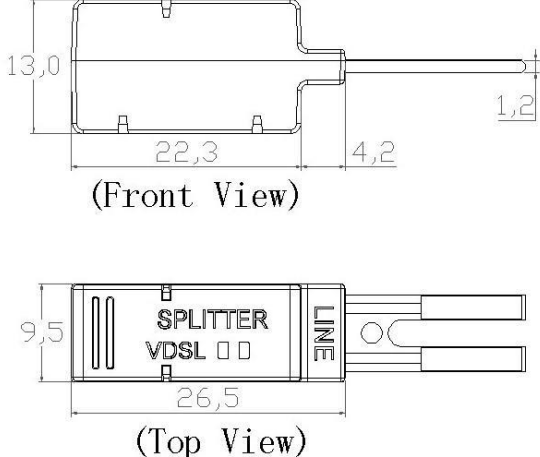

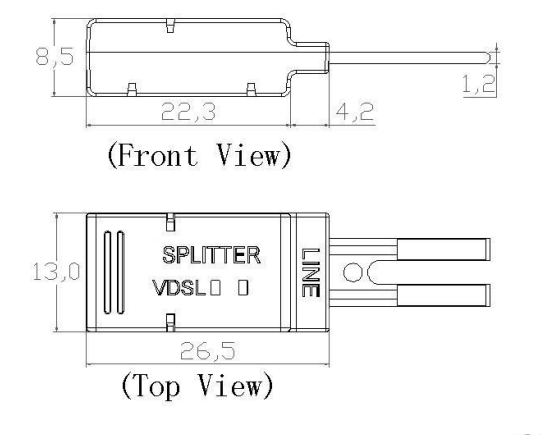

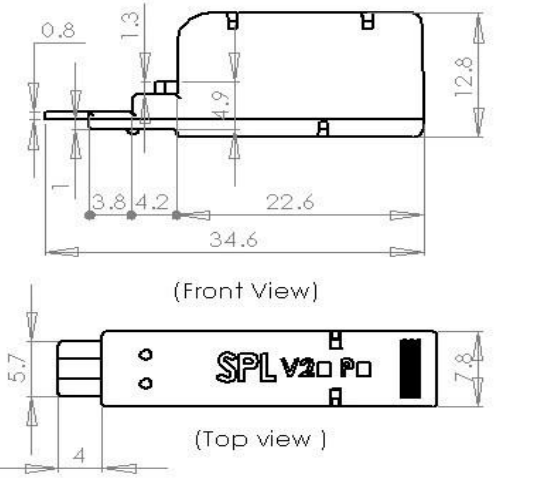


Model for Order

Model	YD/T	ETSI	Diagram No.
MP18-121	○	○	1
MP18-122		○	2
MP18-123	○		3
MP18-125A	○	○	4
MP18-125C	○	○	5
MP18-127	○	○	6

Apparatus Diagram (Unit: mm)

<p>1、MP18-121</p>	<p>(Top View)</p> <p>(Front View)</p>	
<p>2、MP18-122</p>	<p>(Top View)</p> <p>(Front View)</p>	<p>Min Dimension</p> <p>DC Current up to 80mA MAX</p> <p>Compatible with VDSL</p>
<p>3、MP18-123</p>	<p>(Top View)</p> <p>(Front View)</p> <p>(Right View)</p>	

<p>4. MP18-125A</p> 	 <p>(Front View)</p> <p>(Top View)</p>	<p>Compatible with VDSL2+</p>
<p>5. MP18-125C</p> 	 <p>(Front View)</p> <p>(Top View)</p>	<p>Compatible with VDSL2+</p>
<p>6. MP18-127</p> 	 <p>(Front View)</p> <p>(Top view)</p>	<p>Compatible with VDSL2+</p> <p>(Under development)</p>